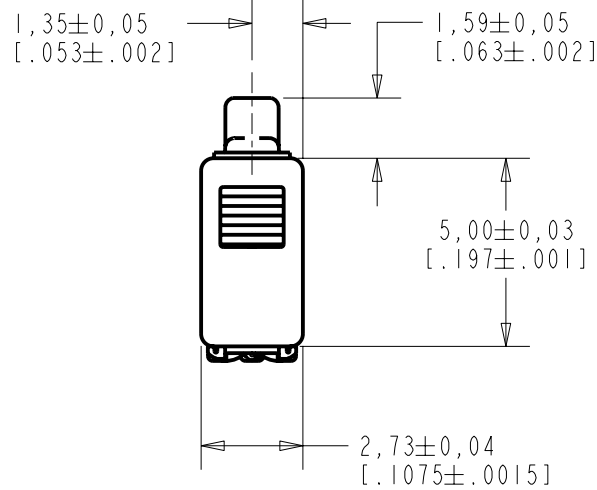


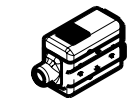
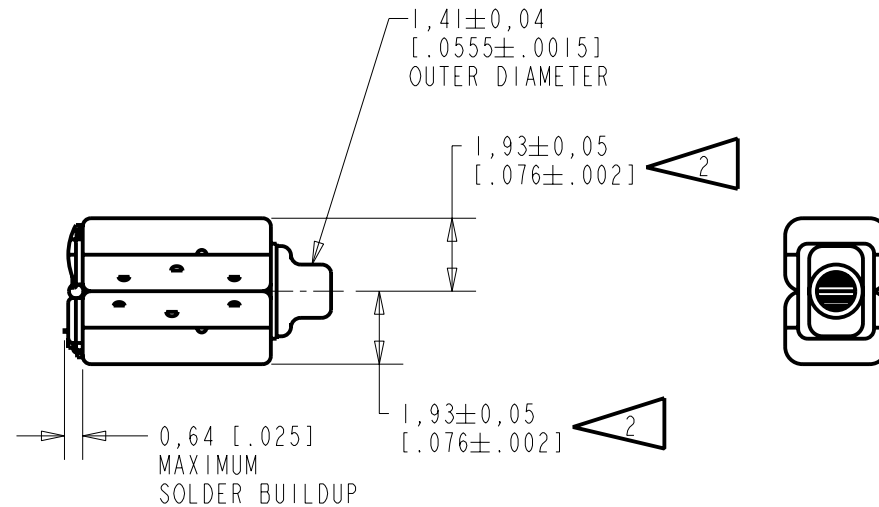
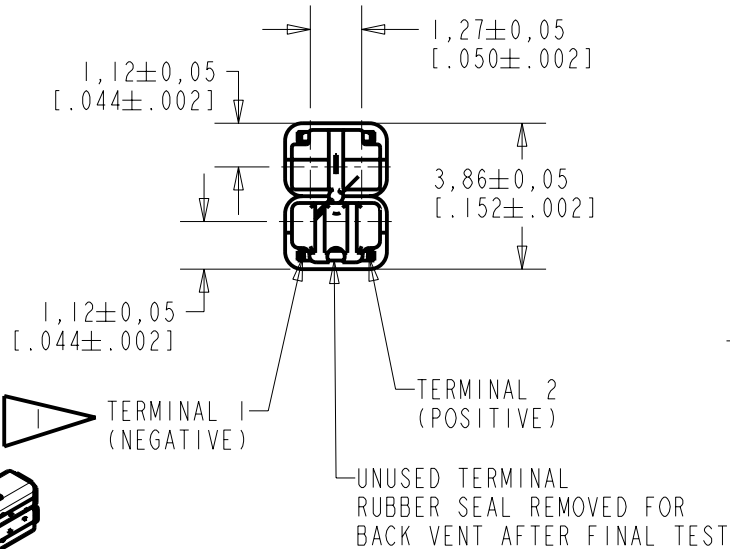
**TWFK-30017-000**

SHT 1.1



NOTES:

- 1 A POSITIVE GOING VOLTAGE AT TERMINAL 2, RELATIVE TO TERMINAL 1, CAUSES A DECREASE IN PRESSURE AT THE SOUND OUTLET.
- 2 LOCATED FROM TWO SURFACES FOR CUSTOMER CONVENIENCE. ONLY APPLICABLE FROM ONE SURFACE, NOT TO BE USED TOGETHER.



SCALE 2:1 DIMENSIONS IN MILLIMETERS [INCHES]

Revision	C.O. #	Implementation Date	RELEASE LEVEL	REVISION
D	CI0105206	12-12-06	Released	D

**KNOWLES ELECTRONICS**  
ITASCA, ILLINOIS U.S.A.

SCALE:	5:1	
DO NOT SCALE DRAWING		
TITLE:	RECEIVER	TWFK-30017-000
	OUTLINE DRAWING	SHT 1.1

DR. BY	DATE
AB	6-7-06
CK. BY	DATE
GJP	6-8-06
APP. BY	DATE
GJP	6-8-06

UNDAMPED MAGNETIC BALANCED ARMATURE RECEIVERS INTENDED FOR USE AS THE HIGH AND LOW FREQUENCY DRIVERS IN A Hi Fi SYSTEM. THE TWFK IS A WIDEBAND FK AND FK RECEIVER PAIR WITH AN EXTENDED HIGH FREQUENCY RESPONSE AND SHOCK PROTECTION. FK RECEIVER VENTED THROUGH UNUSED TERMINAL.

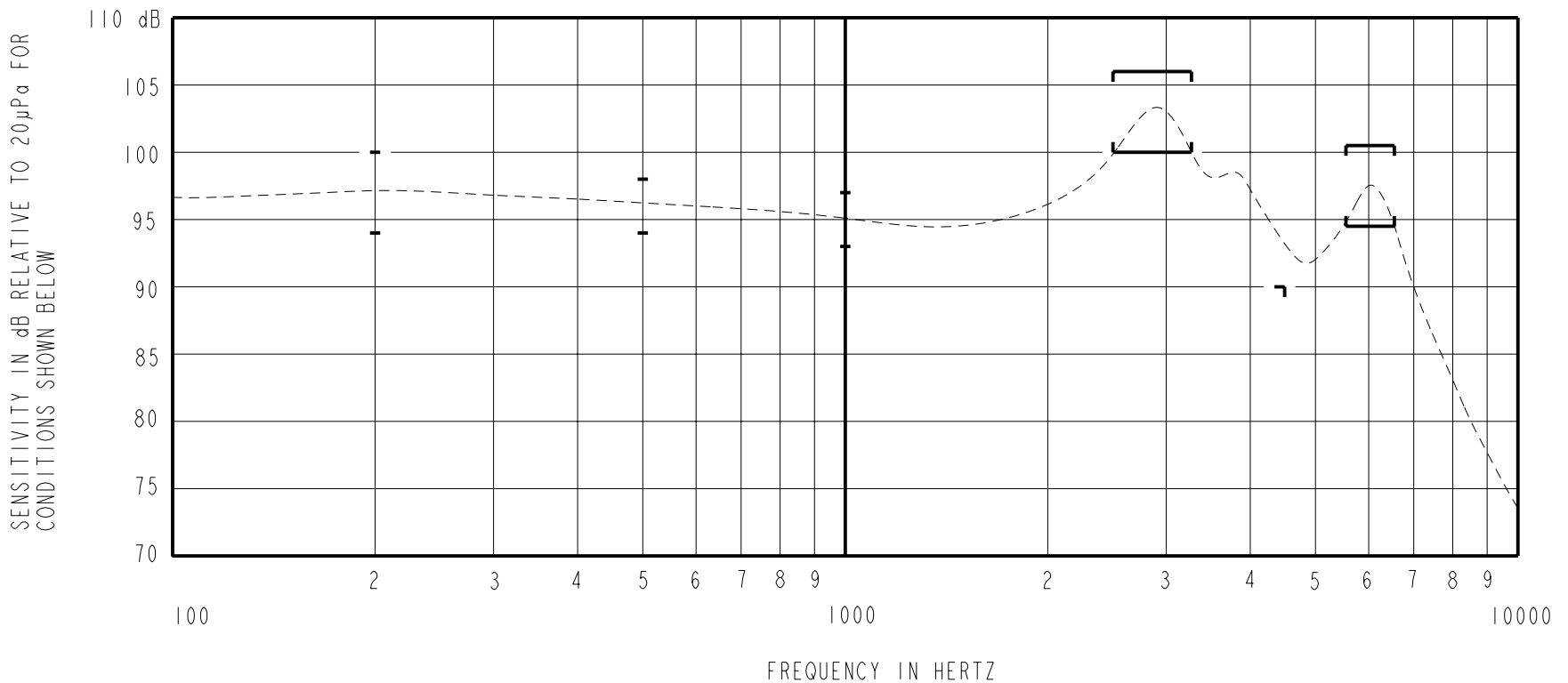
UNDAMPED

TWFK-30017-000

SHEET 2.1

NOTE: SPECIFICATIONS FOLLOWED BY AN ASTERISK (\*) ARE 100% TESTED.

CONSTANT VOLTAGE DRIVE CONDITIONS (WITH VENT BLOCKED).



ACOUSTICAL

SENSITIVITY\*  
DEVICE WILL PRODUCE THE SPL LISTED BELOW UNDER TEST CONDITION IN TABLE 3.  
NOMINAL SENSITIVITY AT 1kHz IS dB RELATIVE TO 20 µPa. ALL OTHER VALUES IN dB RELATIVE TO THE SENSITIVITY AT 1kHz.

FREQUENCY (Hz)	MINIMUM	NOMINAL	MAXIMUM
200	-1.0	+2.0	+5.0
500	-1.0	+1.0	+3.0
1000	-2.0	95.0	+2.0
2500-3100	+5.0	+8.0	+11.0
4500	-5.0	---	---
5500-6500	-0.5	+2.5	+5.5

TABLE 1

MECHANICAL

PORT LOCATION: 12S  
SOLDER TYPE: SAC305

TEMPERATURE:

OPERATING: SENSITIVITY AT 500Hz WILL NOT VARY BY MORE THAN ±3 dB FROM 0°C TO 63°C.  
STORAGE: -40°C TO 63°C.

TOTAL HARMONIC DISTORTION\*

DEVICE WILL NOT EXCEED TOTAL HARMONIC DISTORTION LEVELS LISTED BELOW.

FREQUENCY (Hz)	AC DRIVE (V rms)	DC BIAS (mA)	LIMIT (%)
930	.085	0	5
1400	.085	0	5
500	.240	0	10

TABLE 2

TEST CONDITIONS

0.82µF CAPACITOR CONNECTED TO THE INPUT OF THE WBFK RECEIVER

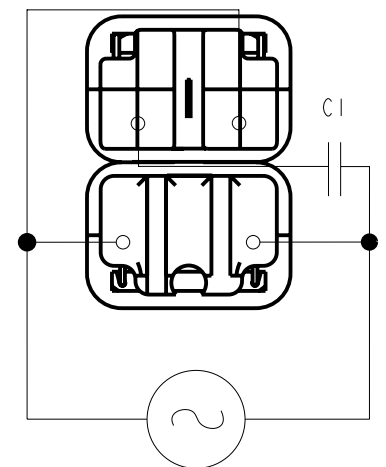
NOMINAL SOURCE VOLTAGE	.085 V rms, 0 V DC BIAS
SOURCE IMPEDANCE	<1 Ohm
TUBING	10mm [.394"] LONG, 1mm [.039"] I.D.
COUPLER CAVITY	2 CM <sup>3</sup> , SIMULATED ANSI S3.7 TYPE HA-3 (IEC 126)

TABLE 3

ELECTRICAL

DC RESISTANCE	25 Ohms ± 10%* 25 Ohms FK / 12.5 Ohms WBFK
IMPEDANCE @ 500 Hz	31.0 Ohms ± 15%*
IMPEDANCE @ 1kHz	43.0 Ohms ± 15%*

TABLE 4



ISOLATION: CASE WILL BE ELECTRICALLY ISOLATED FROM THE COIL CIRCUIT.

Revision	C.O. #	Implementation Date	RELEASE LEVEL	REVISION
			Released	D
D	C10105206	12-12-06		

<b>KNOWLES ELECTRONICS</b> <b>ITASCA, ILLINOIS U.S.A.</b>	WHEN TEST LIMITS ARE USED TO ESTABLISH INCOMING INSPECTION ACCEPTANCE/REJECTION CRITERIA, CORRELATION OF TEST EQUIPMENT WITH KNOWLES IS ALSO REQUIRED FOR ELIMINATION OF EQUIPMENT AND TEST METHOD VARIATION		DR. BY	DATE
	TITLE: <b>RECEIVER</b>	<b>TWFK-30017-000</b>	AB	6-7-06
			GJP	6-8-06
	PERFORMANCE SPECIFICATION	SHT 2.1	APP. BY	DATE
		GJP	6-8-06	